

MongoDB and Hackolade:

Visual Data Modeling for MongoDB Schemas

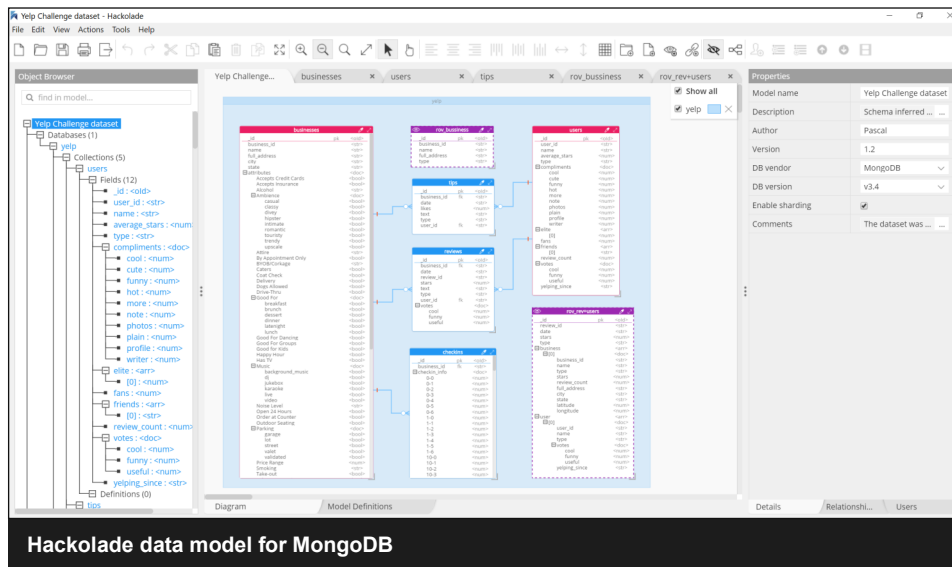
Joint MongoDB and Hackolade Solution

MongoDB is well-known for its scalability, flexibility, fast and easy evolution, and for providing the ability to store and access data with minimal effort and setup.

Businesses make decisions based on information stored in MongoDB. With data being a corporate asset, data modeling becomes critical to understanding data, its interrelationships, and its rules. Hackolade increases data agility by making its structure transparent and facilitating its evolution.

Product Overview

Hackolade is pioneering the field of data modeling for NoSQL and multi-model databases with its unique ability to represent deeply nested JSON objects in Entity Relationship diagrams. A well-designed, dynamic database schema is like a solid foundation for a house. Data modeling is a best practice to help ensure that a MongoDB-based application will evolve, scale, and perform well. A good data model drives reduced development time, increased application quality, and lower execution risks across the enterprise.



Hackolade dynamically generates MongoDB scripts as you build a data model in a forward-engineering approach. It also derives data models based on the reverse-engineering of existing MongoDB instances, so a data modeler or architect can enrich the model with descriptions, properties, and constraints. A powerful and flexible HTML documentation of the data model facilitates the dialog between analysts, designers, architects, developers, and DBAs. Hackolade facilitates higher data quality and data governance to smooth the onboarding of NoSQL technology in enterprise IT.



Company Overview

- Pioneer in data modeling for NoSQL and multi-model databases
- Only data modeling solution for MongoDB, Couchbase, Cosmos DB, DynamoDB, Cassandra, Firebase, Firestore, Elasticsearch, and HBase

Company Website

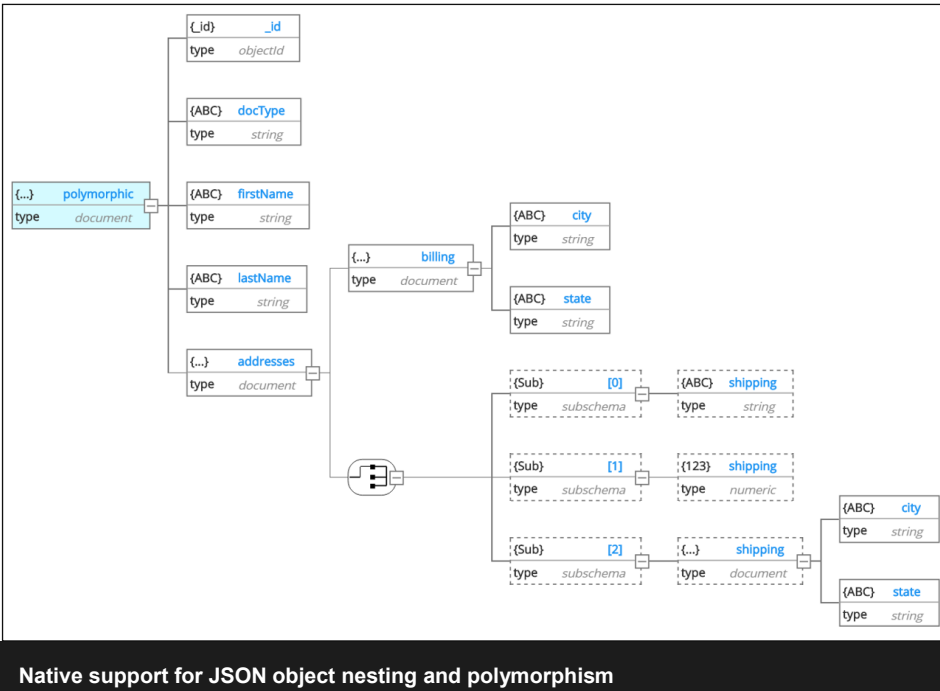
www.hackolade.com

Key Benefits of Joint Solution

- Higher application quality
- Quicker time to market
- Lower development and maintenance costs
- Improved data quality
- Privacy and GDPR compliance
- Documentation and knowledge transfer
- Enhanced integration

Features of Joint Solution

- Graphic visualization of complex data structures
- Modeling of JSON nested objects, and MongoDB views
- Documentation of implicit relationships and denormalization
- Forward- and Reverse-Engineering
- Generation of \$jsonschema validator
- Enterprise protocols: LDAP, Kerberos, X.509, TLS/SSL, SSH, and MongoDB Atlas cloud access
- HTML and PDF data model documentation
- Command-Line Interface
- Assistance in migrating from RDBMS SQL to MongoDB
- Multi-platform application: Windows, Mac, or Linux



Major Benefits of Joint Solution

Increase your data agility

Simply put, our data modeling tool allows developers to leverage the dynamic schema benefits of MongoDB, increase data quality, and consistency, and boost excellence in agile application development. Hackolade dynamically generates the MongoDB \$jsonschema validator. No JSON Schema knowledge required.

Integrate MongoDB in your enterprise data governance

The solution enables you to include all of your MongoDB metadata into a central data dictionary across your different database providers, particularly in the context of compliance with privacy laws and GDPR.

Turn your data into a conversation

Enhance the dialog between analysts, designers, architects, DBAs, and developers by providing a visual map of the data structure, leading to application design that fits with the business needs and enables better data-driven decisions.

About MongoDB

MongoDB is the next-generation database that helps businesses transform their industries by harnessing the power of data. With its unique Nexus Architecture and multi-model design, MongoDB is the only database that harnesses the innovations of non-relational database technologies – flexibility, always-on global deployments, and scalability – while maintaining the foundation of a rich query language, strong consistency, and enterprise integrations that have made relational databases an essential technology over the past three decades. MongoDB lets innovators deploy apps as big as they can possibly dream. From startups to enterprises, for the modern and the mission-critical, MongoDB is the database for giant ideas. For more information, visit www.MongoDB.com

About Hackolade

Hackolade is the pioneer for data modeling for NoSQL and multi-model databases. The company introduced its original data modeling software for MongoDB and has grown over time, becoming the first organization to provide a comprehensive suite of data modeling tools for various NoSQL databases. Today, it is the only data modeling provider for MongoDB, CosmosDB, Couchbase, and DynamoDB. The company’s software is user-friendly and simple-to-use, yet provides powerful visuals and graphic data modeling to smooth the onboarding of NoSQL technology. Its software tools help analysts, designers, architects, and DBAs involved with NoSQL database technology achieve greater transparency and control, resulting in reduced development time, increased application quality, and lower execution risks across the enterprise. Hackolade is headquartered in Brussels, and was founded in 2016. Its products are sold direct on its website. For more information, visit www.hackolade.com

Key Vertical Markets

- Banking and Finance
- E-Commerce and Retail
- Transportation and Airlines
- Insurance and Healthcare
- Broadcasting
- Gaming and Online Casino
- IoT and Technology
- Government and Education

Hackolade as a MongoDB Enterprise Certified Solution Partner

Hackolade has been certified on MongoDB versions 2.6 through 3.6. The MongoDB Enterprise Certification Program reviews and certifies technologies against a comprehensive suite of integration best practices.

For additional information, contact us

Hackolade

www.hackolade.com

info@hackolade.com

(310) 421-2423